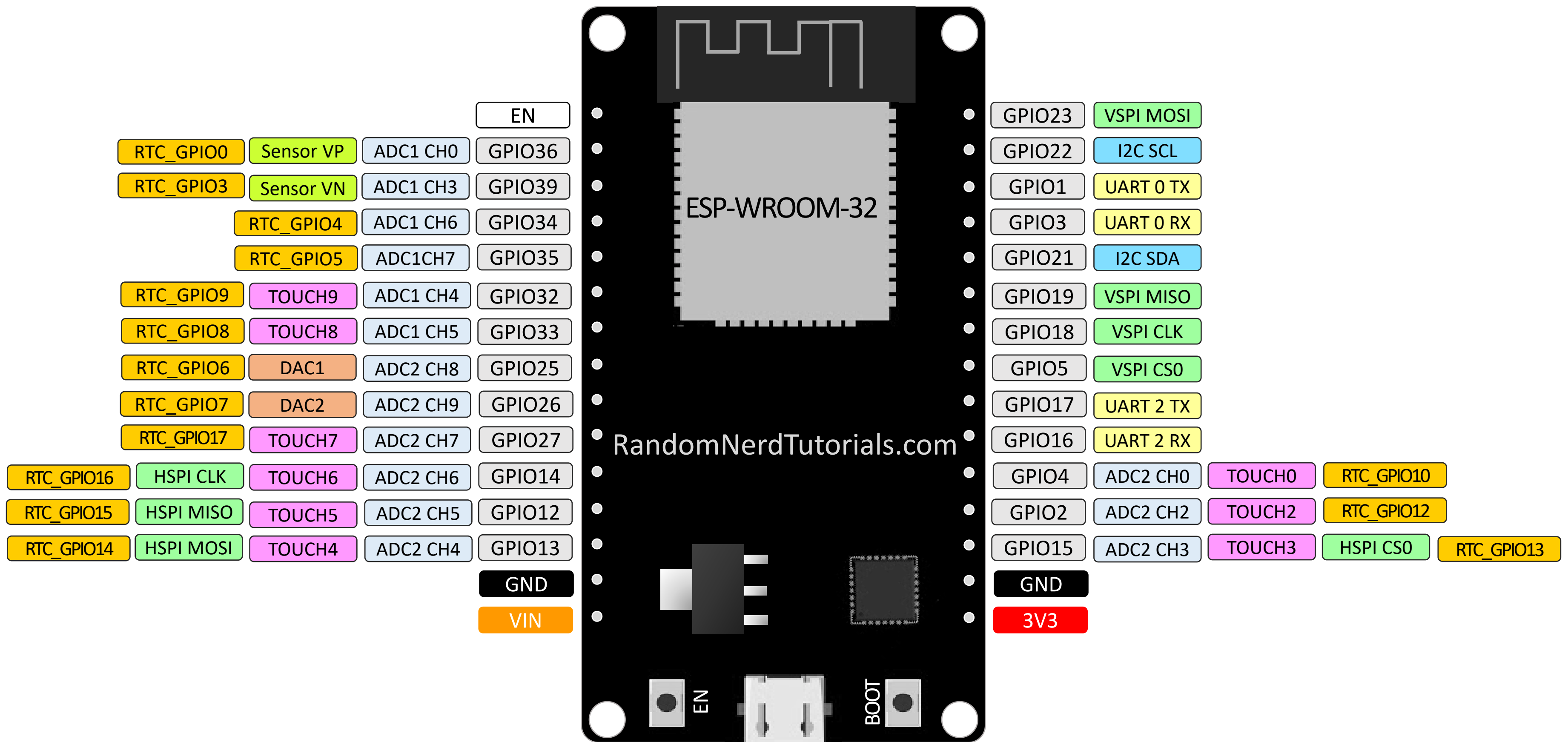


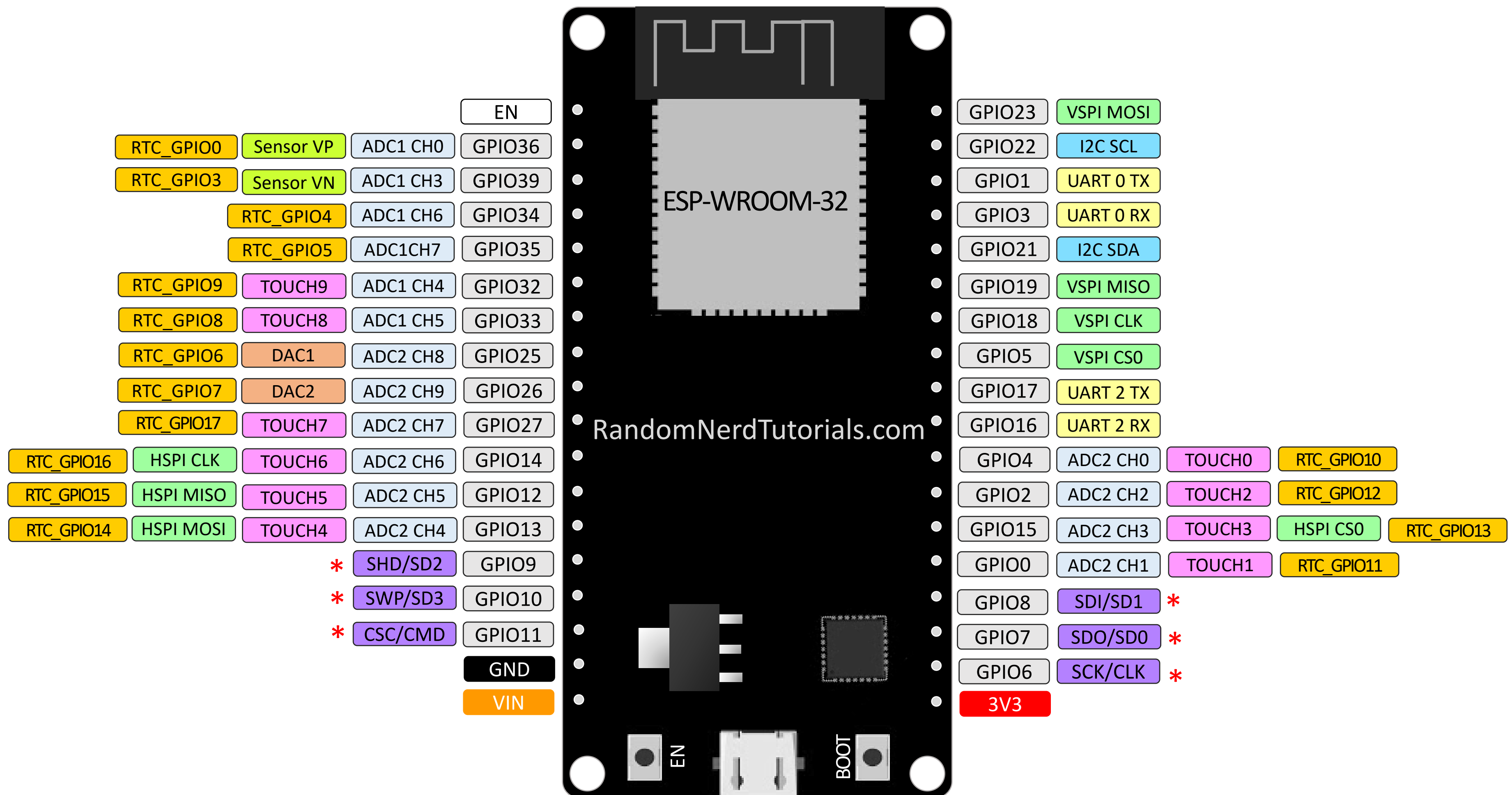
ESP32 DEVKIT V1 – DOIT

version with 30 GPIOs



ESP32 DEVKIT V1 – DOIT

version with 36 GPIOs



* Pins SCK/CLK, SDO/SD0, SDI/SD1, SHD/SD2, SWP/SD3 and CSC/CMD, namely, GPIO6 to GPIO11 are connected to the integrated SPI flash integrated on ESP-WROOM-32 and are not recommended for other uses.